

Pexgol Elbow

December, 2021

MATERIAL

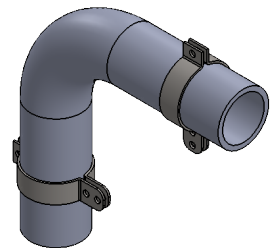
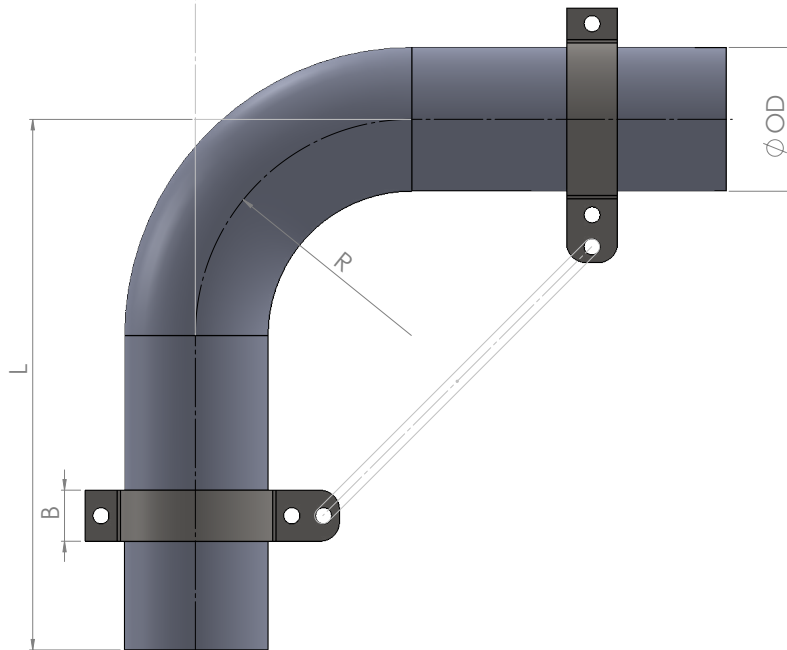
- **Body:** Cross Linked Polyethylene [Pe-Xa]

SPECIFICATIONS

- **Temperature rating:** -50°C / -58°F to 110°C / 230°F

NOTES

- The length of each leg can be different. The elbow are supplied with fixation clamps to allow tolerance of -2° and +/-25 mm in length.
- After installation it is possible to remove the clamps if required.



Pressure-Temperature De-rating Table [Bar/Psi]

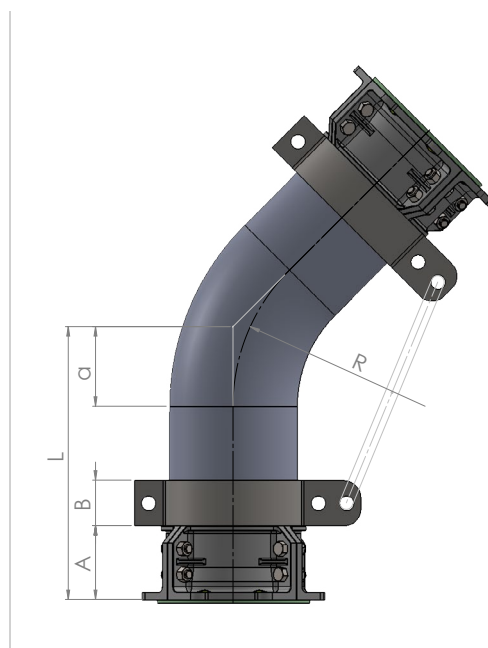
°C/°F	Class 15 (bar/psi)	Class 19 (bar/psi)	Class 24 (bar/psi)	Class 30 (bar/psi)
10°/50°	17/246	21.4/310	26.9/390	34/493
20°/68°	15/217	18.9/274	23.8/345	30/435
30°/86°	13.3/192	16.8/243	21.1/306	26.6/385
40°/104°	11.8/171	14.9/216	18.7/271	23.56/341
50°/122°	10.5/152	13.2/191	16.7/242	21/304
60°/140°	9.5/138	11.9/172	15/217	19/275
70°/158°	8.5/123	10.7/155	13.4/194	16.88/244
80°/176°	7.5/109	9.5/138	12/174	15.12/219
90°/194°	6.8/98	8.6/125	10.9/158	13/188
95°/203°	6.4/93	8.1/117	10.3/149	13/188
100°/212°	5.5/80	7/101	9/130	11.2/162
105°/221°	4.5/65	5.5/80	7/101	8.7/126
110°/230°	3.8/55	4.7/68	5.9/85	7.43/108

GP Flange Couplers

Pexgol Pipe O.D.	1.5D		3D	
	45° L [mm]	90° L [mm]	45° L [mm]	90° L [mm]
50	190	260	210	320
63	200	280	180	380
75	230	320	220	440
90	260	380	260	510
110	310	450	310	620
125	320	490	330	680
140	350	530	370	750
160	370	580	400	830
180	390	630	430	920
200	430	700	480	1010
225	480	780	520	1130
250	530	860	580	1260
280	570	940	640	1390
315	630	1040	720	1550
355	720	1190	810	1750
400	780	1310	900	1950
450	850	1440	1010	2170
500	960	1620	1140	2420
630	1080	1910	1360	2800
710	1210	2140	1530	-

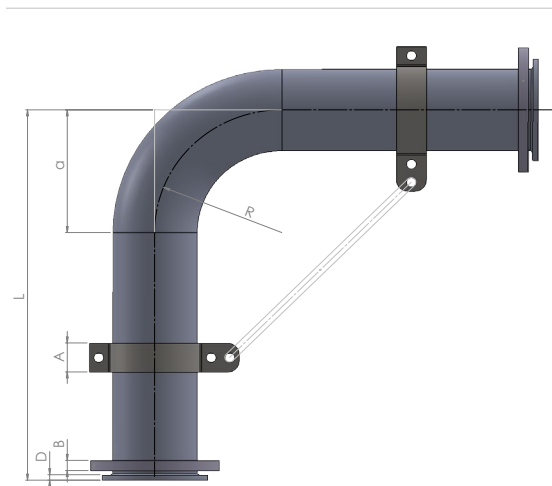
- Note:**

The dimensions from the table are relevant only if the GP Flange Couplers are assembled in Golan, if this is not the case, the dimensions in the EF table must be considered.



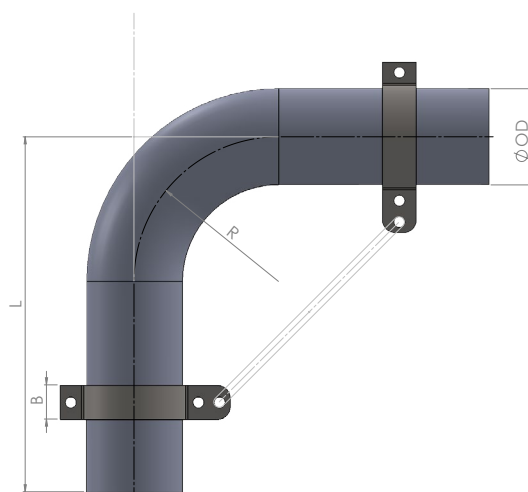
Flared-ends

Pexgol Pipe O.D.	1.5D		3D	
	45°	90°	45°	90°
	L [mm]	L [mm]	L [mm]	L [mm]
50	460	520	450	560
63	480	560	470	620
75	490	590	500	670
90	510	630	530	740
110	550	690	580	830
125	570	730	600	890
140	590	770	630	960
160	610	820	670	1040
180	640	880	710	1130
200	670	930	760	1220
225	700	1000	800	1330
250	730	1060	850	1430
280	760	1130	900	1550
315	800	1210	970	1700
355	870	1340	1060	1890
400	920	1450	1140	2070
450	980	1570	1240	2280
500	1030	1690	1330	2490



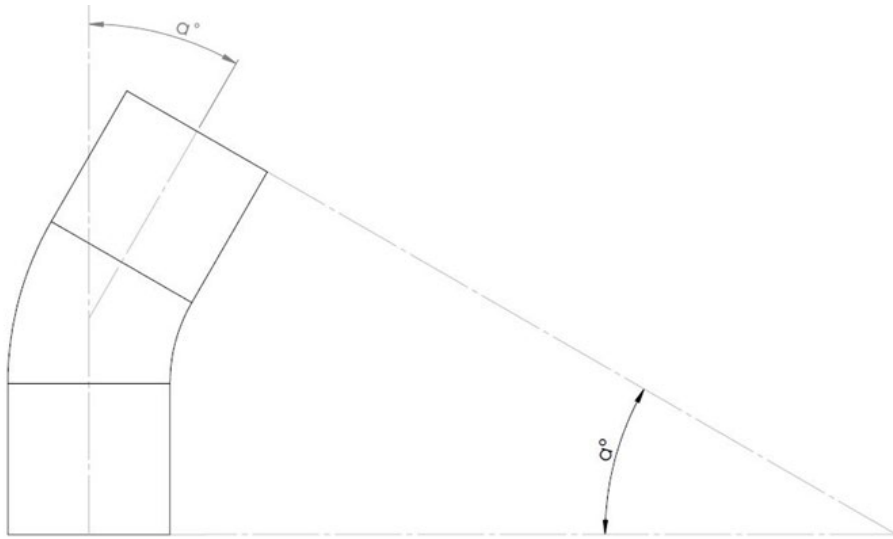
Plan Ends for EF Couplers

Pexgol Pipe O.D.	1.5D		3D	
	45°	90°	45°	90°
	L [mm]	L [mm]	L [mm]	L [mm]
50	230	290	240	360
63	250	330	270	420
75	270	360	300	470
90	300	410	340	540
110	330	480	390	640
125	360	520	420	710
140	380	560	450	770
160	400	610	480	860
180	440	680	540	960
200	470	730	580	1050
225	530	830	660	1180
250	560	890	700	1280
280	600	970	760	1410
315	640	1060	830	1560
355	700	1170	910	1740
400	820	1350	1050	1980
450	880	1470	1150	2190
500	950	1600	1250	2410
630	1120	1940	1510	2800
710	1230	2160	1670	-



Angle definition (Elbow name)

The Elbow angle (α°) definition is as described in the illustration below.



Non-standard Elbows

In the case of non-standard angles, for example $\alpha=30^\circ$, $\alpha=60^\circ$ or other special elbow, please contact the Pexgol application team.