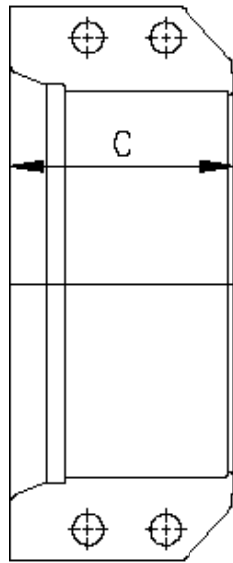


GP Flanged Coupler

April, 2023

MATERIAL

- **Body:** Hot galvanized Spheroidal cast iron GGG40 (ASTM A-536). The inner surface of the coupling has special stainless steel teeth.
- **Gasket:** EPDM.
- VITON or other gasket materials upon special request.
- **Bolts:** galvanized carbon steel.



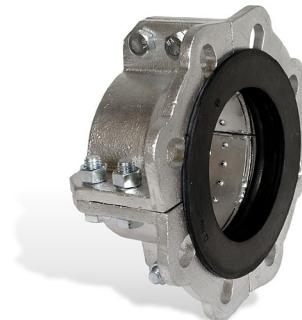
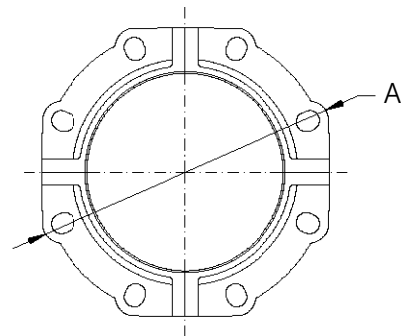
SPECIFICATIONS

Pressure & temperature rating:

- GP Flange Couplers 63 mm - 280 mm are suitable for the full pipe pressure and temperature range (up to class 30).
- For sizes 315 mm - 450 mm consider maximum pressure of 19 bar.
- For sizes 500 mm - 710mm consider maximum pressure of 10 bar.
- For higher working pressure please contact Pexgol Application team.

NOTES

- Fix point clamps should be used after GP Flange Coupler in order to prevent pipe pull-out.



Pitch Circle Diameter Compatibility with international flange standards

Catalog Number	Pipe OD (mm)	Nominal Flange size		DIN			ANSI			BSTD
				2632	2633	2634	125	150	300	
				10	16	25				
		DN (mm)	In.							
50806320	63	50	2"	V	V	V	V	V	-	-
50807525	75*	65	2 1/2"	V	V	-	V	V	-	-
50809030	90	80	3"	V	V	V	V	V	-	-
50811040	110	100	4"	V	V	-	V	V	-	-
50812540	125	100	4"	V	V	-	V	V	-	-
50814060	140	150	6"	V	V	-	V	V	-	V
50816060	160	150	6"	V	V	-	V	V	-	-
50818060	180	150	6"	V	V	-	V	V	-	-
50820080	200	200	8"	V	-	-	V	V	-	V
50822580	225	200	8"	-	-	-	V	V	-	V
50825010	250	250	10"	V	V	-	V	V	-	-
50828010	280 ASA	-	10"	-	V	-	V	V	-	-
50928010	280 BS	250		-	-	-	-	-	-	V
50831512	315	300	12"	-	V	-	V	V	-	V
50835514	355	350	14"	-	-	-	V	V	-	V
50840016	400	400	16"	-	-	-	V	V	-	-
50845018	450	450	18"	-	-	-	V	V	-	-
50850020	500	500	20"	V	V	-	V	V	-	-
50856022	560	560	22"	-	-	-	V	V	-	-
50863024	630	-	24"	-	-	-	V	V	-	-
50871028	710	-	28"	-	-	-	V	V	-	-

General dimensions of flanged couplings and bolts for connecting two quarters of coupler

Catalog Number	Outside diameter of pipe (mm)	Nominal Flange size		A	C	Bolt size (in.)	Bolt length (mm)*	No. of bolts	Weight (kg)
		DN	in.						
50806320	63	50	2	165	70	3/8"	40	4	2.7
50807525	75*	65	2 1/2"	185	80	1/2"	45	4	2.5
50809030	90	80	3	208	96	1/2"	45	4	4
50811040	110	100	4	242	110	5/8"	45	8	6.5
50812540	125	100	4	242	110	5/8"	45	8	8
50814060	140	150	6	285	120	5/8"	50	8	10
50816060	160	150	6	285	120	5/8"	50	8	11.2
50818006	180	150	6	285	119	5/8"	50	8	12.1
50820080	200	200	8	348	130	5/8"	50	8	13.0
50822580	225	200	8	344	130	5/8"	50	8	12.4
50825010	250	250	10	410	150	5/8"	60	8	17.0
50828010	280 ASA		10	405	160	5/8"	60	8	20.0
50928010	280 BS	250		405	160	5/8"	60	8	20.0
50831512	315	300	12	475	180	3/4"	70	8	27.7
50835514	355	350	14	535	200	3/4"	70	8	40
50840016	400	400	16	600	215	7/8"	70	8	55
50845018	450	450	18	635	235	7/8"	70	8	65
50850020	500	500	20	715	280	7/8"	70	8	68
50856022	560		22	758	280	7/8"	70	8	84
50863024	630		24	840	280	7/8"	70	8	86
50871028	710		28	930	320	3/4"	100	8	135

Notes:

- (*) For a 75 mm flange coupler a special production is required and therefore a minimum quantity order is required.
- Bolt type: HEX Head / Nut - UNC Gr.5 Zinc Plated

Bolts for connecting two flanged couplings

Pexgol Pipe diameter	Flange size	Bolt size**	Bolt length (mm)**	No.of bolts	Torque N x m	Torque lb x ft
63	2"	5/8"	50	4	81	60
75	2 ½"	5/8"	50	4	81	60
90	3"	5/8"	50	4	81	60
110	4"	5/8"	50	8	81	60
125	4"	3/4"	60	8	81	60
140	6"	3/4"	60	8	136	100
160	6"	3/4"	60	8	136	100
180	6"	3/4"	60	8	136	100
200	8"	3/4"	60	8	136	100
225	8"	3/4"	60	8	136	100
250	10"	7/8"	70	12	217	160
280	10"	7/8"	70	12	217	160
315	12"	1"	80	12	217	160
355	14"	1"	80	12	332	245
400	16"	1"	100	16	332	245
450	18"	1-1/8"	100	16	481	355
500	20"	1-1/8"	90	20	481	355
560	22"	1-1/4"	90	20	580	427
630	24"	1-1/4"	90	20	678	500
710	28"	1-1/4"	110	28	776	572

Notes:

- Torquening the bolts should be done in a crisscross manner.
- When connecting a GP Flanged Coupler with a flared end, the torquening values of the GP Flanged Coupler are the ones that should be use.